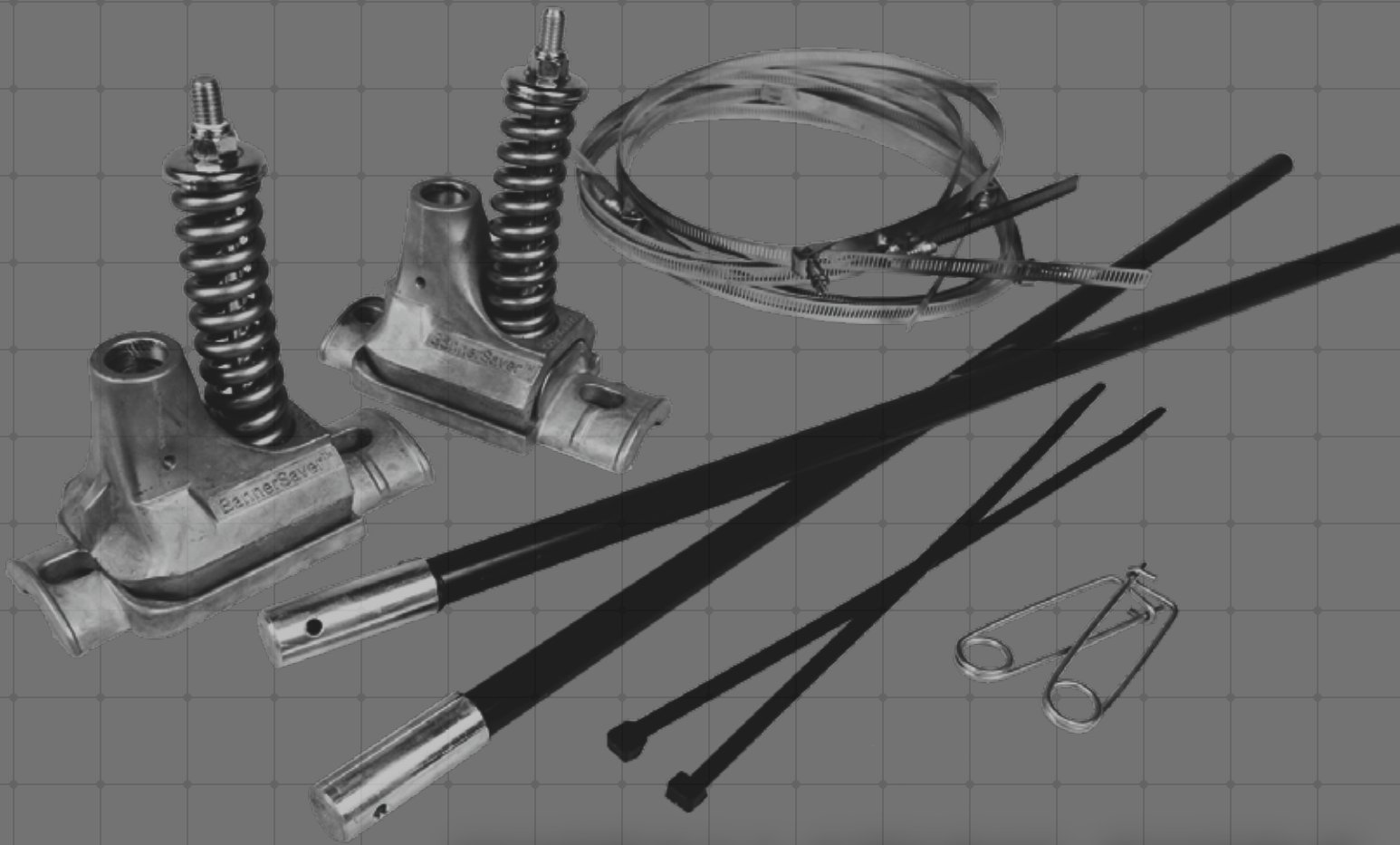


# BANNERSAVER

THE WORLD'S LEADING WIND-SPILLING BRACKET SYSTEM



## INSTALLATION GUIDE

**SIMPLE. PATENTED. BANNERSAVER™**

See installation videos for both Standard and Heavy Duty banding at [BannerSaver.com](http://BannerSaver.com)

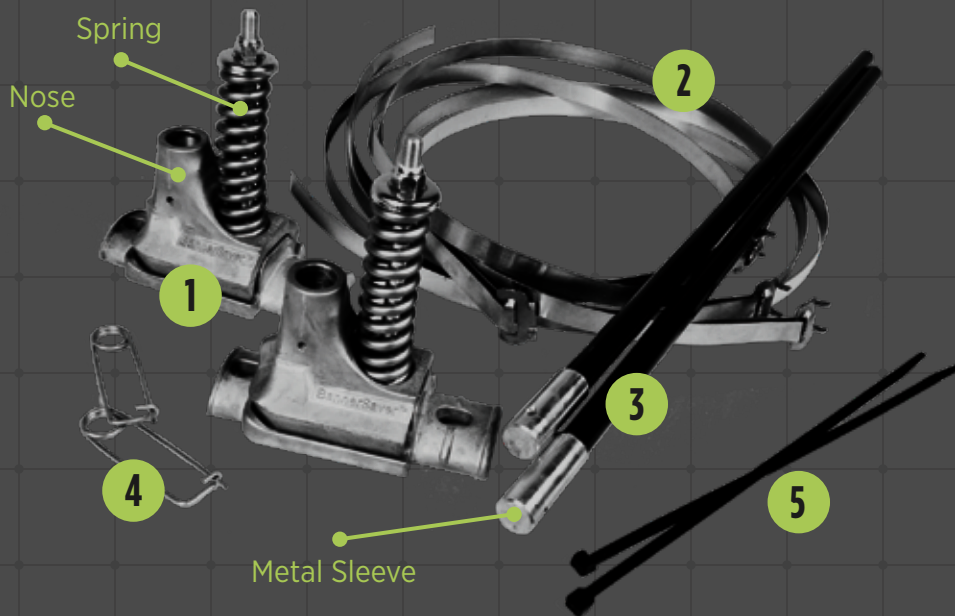
---

QUESTIONS? COMMENTS? NEED TO REORDER?

CALL US AT 231.995.8544 OR VISIT [BANNERSAVER.COM](http://BANNERSAVER.COM)

Congratulations! You've chosen BannerSaver™, the world's premier wind-spilling banner bracket. Before you begin installation. Carefully read this page to: familiarize yourself with the components of a BannerSaver kit, gather the additional tools needed for proper installation, and ensure you've purchased the correct banding for your project.

### STANDARD BANNERSAVER™ KIT



- 1 BannerSaver™ bracket(s)
- 2 Banding (Sold Separately)
- 3 Fiberglass arm(s)
- 4 Pin(s)
- 5 Zip tie(s)

### ADDITIONAL TOOLS REQUIRED FOR INSTALLATION

- Lift truck
- Electric screwdriver with 5/16" nut driver (standing banding)
- Banding tool (heaving banding)
- Tin snips
- Plastic snips
- Duct tape

### CONFIRM YOU HAVE CORRECT BANDING

Choosing the right banding is essential for correct BannerSaver™ installations. Please read the following considerations before ordering and installation. **Read more about Heavy vs. Standard banding at [Bannersaver.com](http://Bannersaver.com).**

**Heavy banding** is ideal for all installs, but is required when installing Large and XL BannerSaver™ brackets. It is also recommended if you have the following situations: Tapered poles; square poles which are 4" or greater on each side; two banners per pole; and/or sites with particularly high wind speeds.

**Standard banding** works fine for most installations of Small or Medium BannerSaver™ brackets.

SEE STANDARD + HEAVY BANDING VIDEOS AT [BANNERSAVER.COM](http://BANNERSAVER.COM)

The BannerSaver™ bracket is easy to install, move and adjust. Be sure to read the following step-by-step instructions — paying close attention to the helpful Recommendations section — in **full** before attempting installation.

### HELPFUL RECOMMENDATIONS

- We recommend a “top-to-bottom” approach. Install the top bracket first, bottom bracket second.
- It is highly recommended that you install the banner at the same time you install the brackets. Installing the brackets prior to installation the banner will likely result in necessary adjustments and incorrect measurements.
- Recommended install height: Minimum of 15' from the ground to bottom of banner (for parking lots and street locations).
- Spring position is important. Remember: Top bracket, spring on top. Bottom bracket, spring on bottom.
- Confirm fiberglass arms are 4" longer than the width of your banner.
- If using standard banding, use 3 bands per bracket — 2 on the spring end, 1 on the other. Heavy banding uses 2 bands — 1 on the spring end, 1 on the other.



Figure 1



Figure 2



Figure 3



Figure 4

### TOP BRACKET (STANDARD BANDING)

**Step 1: Secure Banding** Following the instructions appropriate for your banding, position and attach bracket to pole, using duct tape to temporarily secure bracket while metal bands are positioned (see Figure 1). Secure metal bands with screwdriver or banding tool and remove any duct tape. *Reminder: Spring on top!*

**Step 2: Install Arm and Secure** Insert fiberglass arm through top pole pocket of banner and insert end of arm with the metal sleeve into the nose of the bracket.

**Step 3: Secure With Pin and Zip Tie** Insert pin through BannerSaver™ nose and fiberglass arm (see Figure 2). Finish with zip tie through grommet (see Figure 3).

**Step 4: Complete** Tighten banding. Clip excess banding and zip tie with snips (see Figure 4).

### REPOSITION

**Step 5:** Position yourself down the pole to approximate bottom bracket position.

### BOTTOM BRACKET

**Step 6: Secure Banner to Arm** At this point, your banner will be attached to the top bracket only and hanging downwards. Insert fiberglass arm through bottom pole pocket of banner with the metal sleeve inserted into the nose of the bracket. *Note: The bottom bracket is not yet attached to pole at this point.*

**Step 7: Secure with Pin** Insert the pin through BannerSaver™ nose and fiberglass arm. The banner is now fully extended and attached to the bracket. The bracket is now ready to be installed on the pole.

**Step 8: Attach to Pole** Push bottom bracket against pole — spring on bottom — and install both top bands.

**Step 9: Bottom Band** Push bottom edge of bracket against the pole and install bottom band.

**Step 10: Complete** Finish with zip tie through grommet. Trim ends of the zip tie and banding.

### BOLTING AND WALL MOUNT INSTALLATION INSTRUCTIONS

The BannerSaver™ can be installed via a bolt instead of banding.

- BannerSaver Small — BannerSaver Large: Install with  $\frac{3}{8}$ " Bolt
- BannerSaver XL: Install with  $\frac{1}{2}$ " Bolt
- *Note: The BannerSaver™ will spill wind regardless of its mounting on a pole or wall. However, the customer is responsible for all wall mounted installations, and warranties do not apply due to the wide variation in walls.*

### MAINTENANCE

With regular maintenance, your BannerSaver™ will last for years, protecting banners and reducing light pole liabilities. We recommend the following maintenance schedule:

- Return to the install site within 2-4 weeks of the first install to tighten bands if necessary.
- Check on banding once a quarter and/or after high wind storms. It may be necessary to tighten or replace banding from time to time.
- *Note: All banding of any kind, from any company, requires maintenance. Heavy banding costs more up front but will reduce maintenance costs in the long run.*

### BANNERSAVER WARRANTY

Britten, Inc. provides a ten-year warranty on BannerSaver™ against product design, manufacturing, and its wind-spilling capabilities as outlined in the BannerSaver™ Wind Tunnel Test Report and assuming proper installation methods. During this warranty period, Britten, Inc. will replace or repair BannerSaver™. This warranty applies only to the original purchaser and is in lieu of all other warranties either expressed or implied for a period of ten years from the date of purchase. Britten, Inc. will not warrant the following: **SHIPPING**; customer is to bear all shipping expense to return the unit to Britten. **LABOR**; associated with the removal or installation. **DAMAGE**; caused by misuse, neglect abuse, accidents, alterations, corrosive environments and any other abnormal service conditions. This warranty specifically does not include product damage due to weather conditions rated F-0 and higher (65mph) on the National Weather Service Fujita Scale.

#### Claims against the warranty must include:

- Clear pictures of installations, including proper banding; and
- National Weather Service reporting based on the day of inquiry.

BannerSaver™ customers recognize that performance related products like the BannerSaver™ require occasional maintenance including checking for loose banding and/or the replacement of bands. Britten encourages customers to remove light pole banners from poles when a known F-0 or higher storm is expected.

#### Important notes:

- The customer is responsible for all wall mounted installations, and warranties do not apply due to the wide variation in walls.
- Domestic (United States) sales to resellers and end-users are made upon the explicit, mutual understanding that all installations will be within the United States unless previously agreed upon in writing.

QUESTIONS? COMMENTS? NEED TO REORDER?

CALL US AT 231.995.8544 OR VISIT [BANNERSAVER.COM](http://BANNERSAVER.COM)